
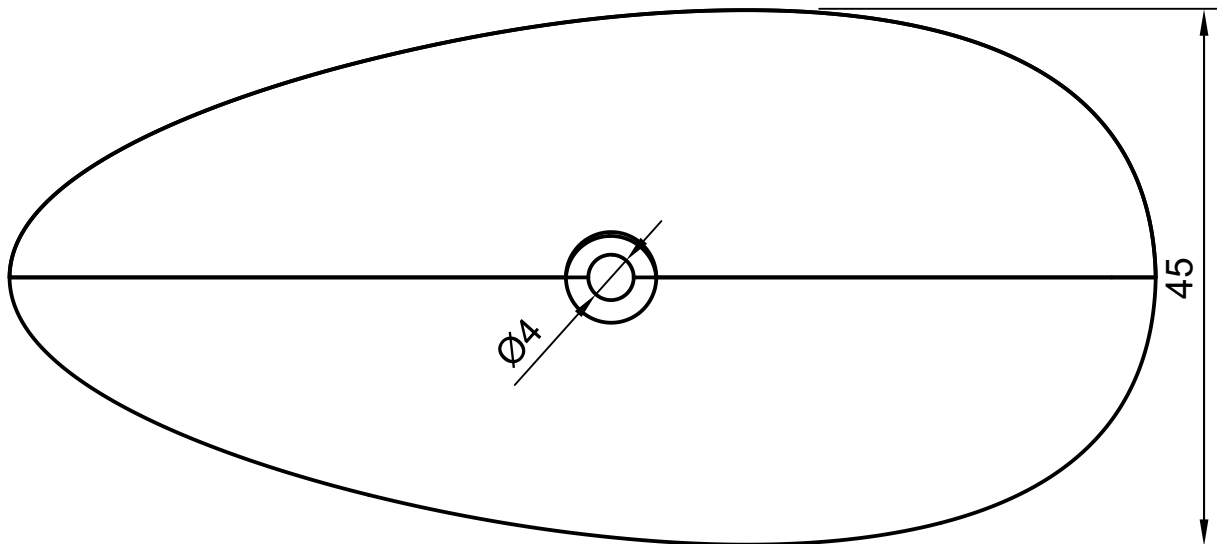
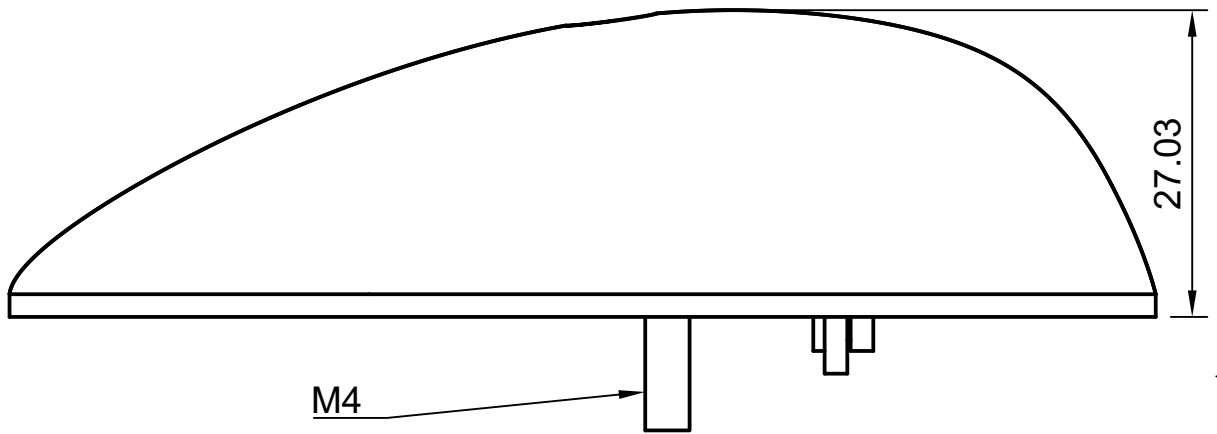
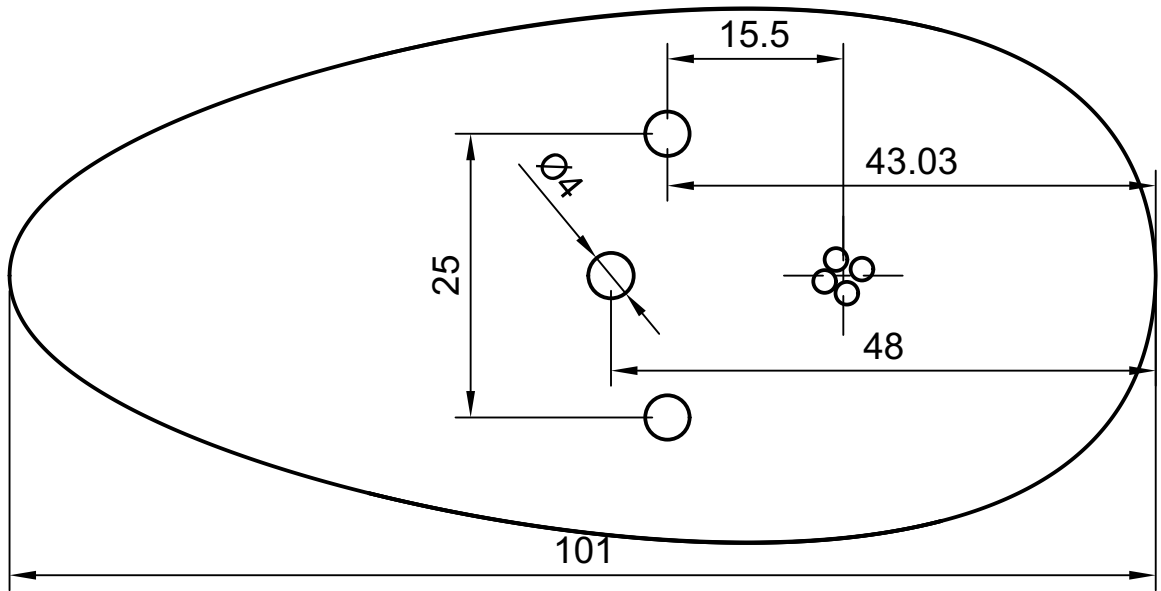

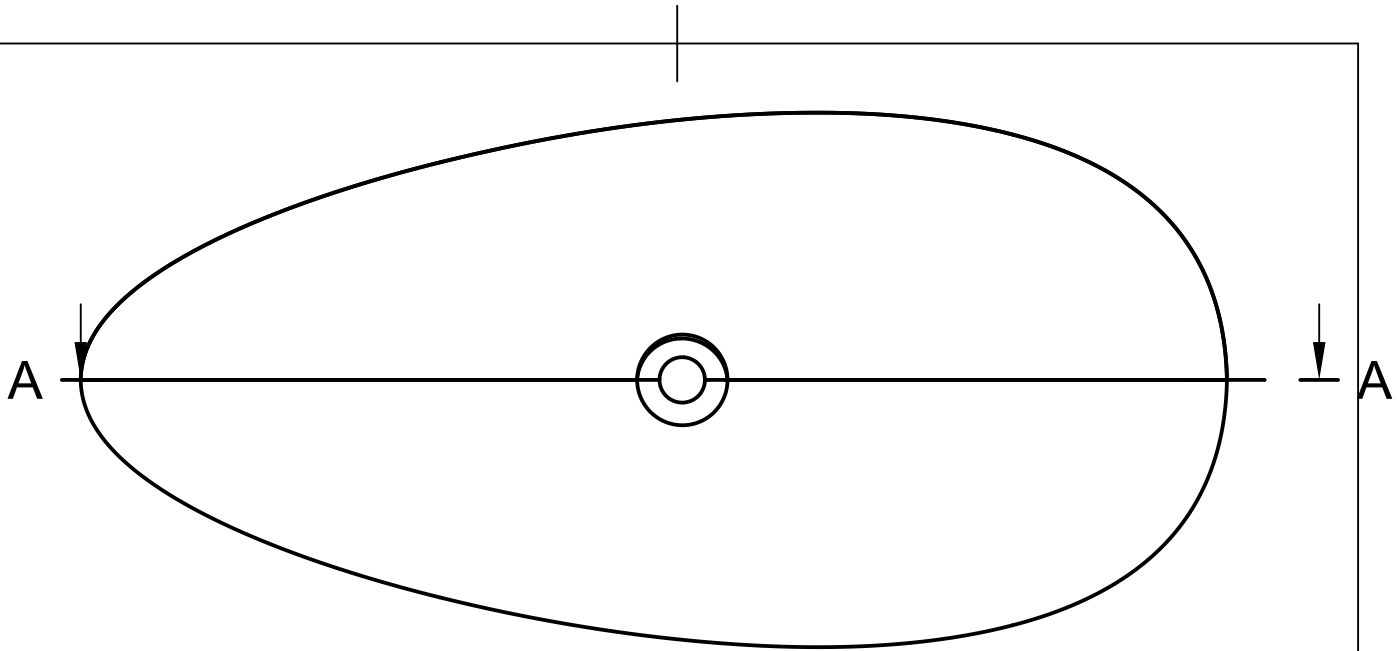


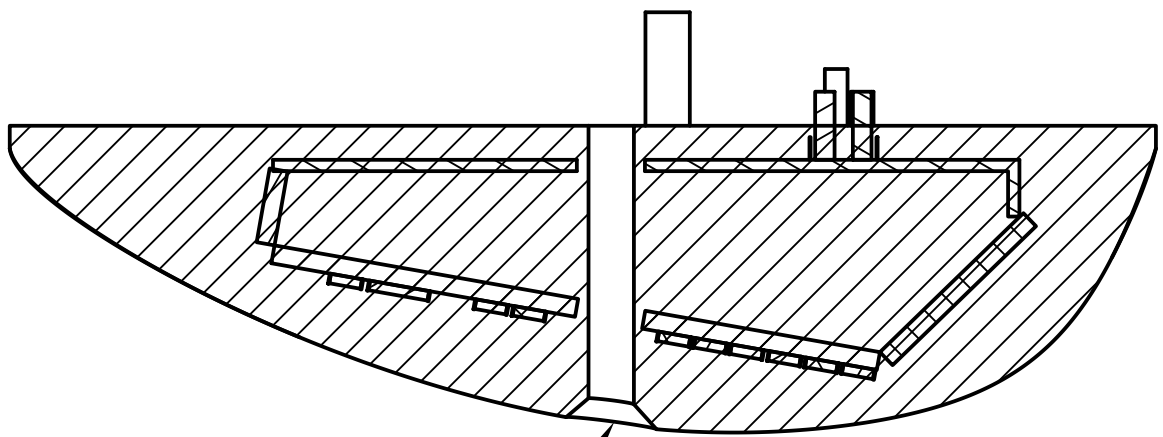
Dept.	Technical reference	Created by CN Lighting Series	Approved by	
		Document type	Document status	
		Title Nav/Strobe Center Mount	DWG No.	
			Rev.	Date of issue




Dept.	Technical reference	Created by CN Lighting Series	Approved by	
		Document type	Document status	
		Title Nav/Strobe Center Mount		DWG No.
		Rev.	Date of issue	Sheet 2/3



A-A (3:2)



M4 Countersunk Screw
Head Diam 7mm

Dept.	Technical reference	Created by CN Lighting Series	Approved by	
		Document type	Document status	
		Nav/Strobe Center Mount		DWG No.
				Rev.