

LED HELIPAD LIGHTING UNIT | CN-09

www.smoothaviation.com | +44 1743 296406 | info@smoothaviation.com

Uses for Final Approach and Take Off (FATO), Take Off and Lift Off (TLOF), Skid Marker Lights and Approach Path(s)



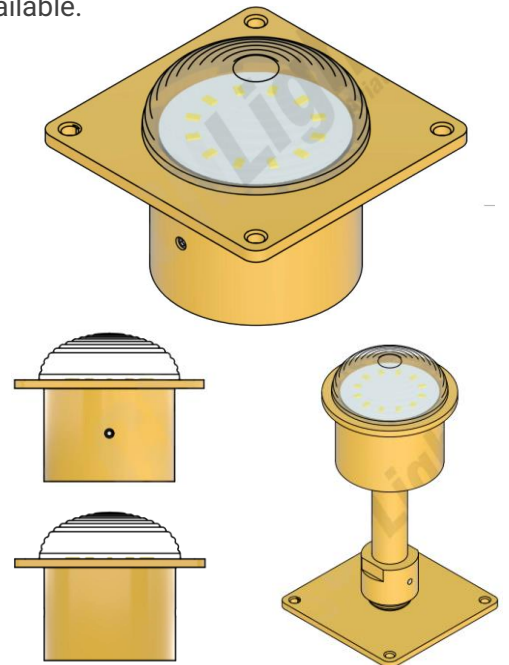
OVERVIEW

Running on 230v mains connection, you can say goodbye to Constant Current Regulators and massive electrical bills and say hello to a helipad installed in less than a day. Super bright, easy to install and efficient helipad lights for a fraction of the cost of 3000v equivalents.

Available in White, Blue, Yellow and Green. Frangible Pedestal Available.

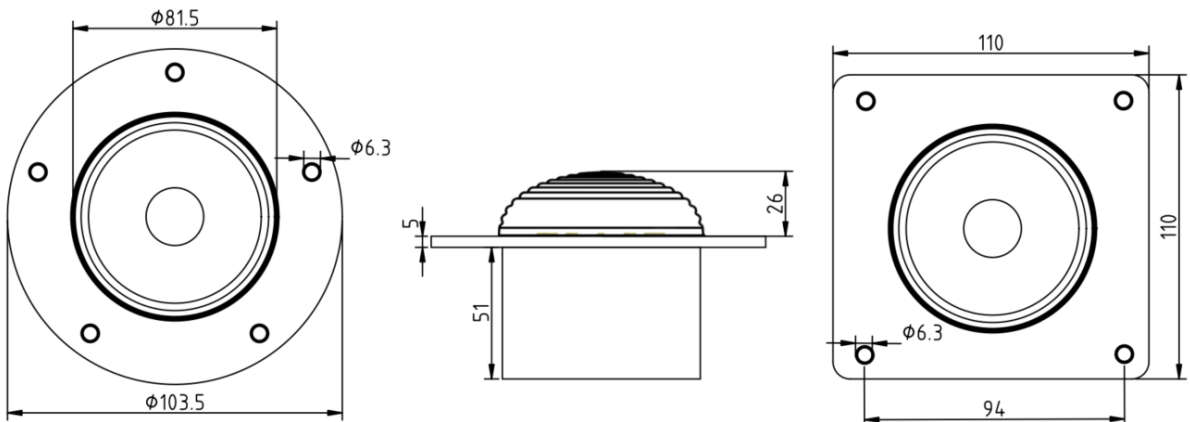
TECHNICAL DATA

Waterproofing Rating	IP65
Voltage Rating	200 – 240VAC
Wattage (Average)	8 Watt
Amperage	0.04 Ampere
Dimmable Range	100% to 0%
Polarity Protection	Yes
Candela (White)	230cd
Candela (Green)	40cd
Candela (Blue)	70cd
Candela (Yellow)	110cd



SIZE DATA

Available with either a round base plate or square, depending on anchor and installation options.



@SmoothAviation



#StaySmooth